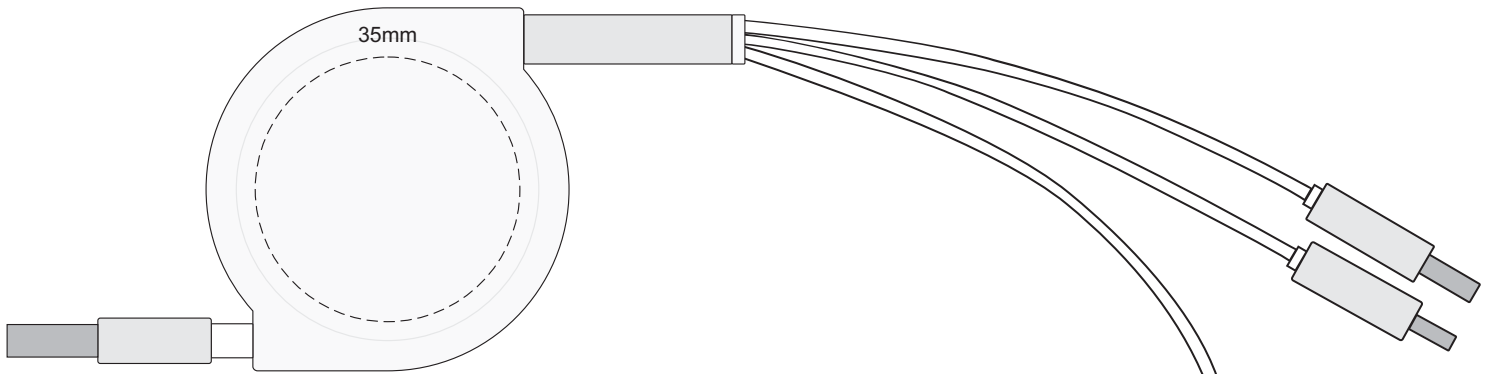
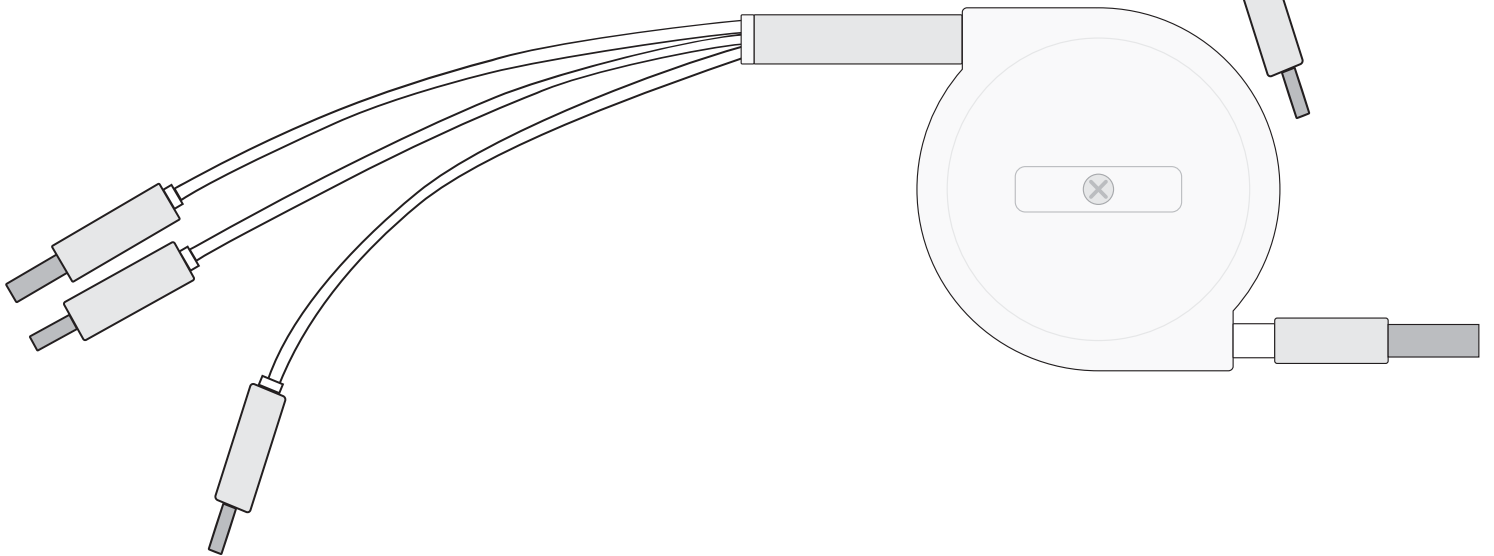


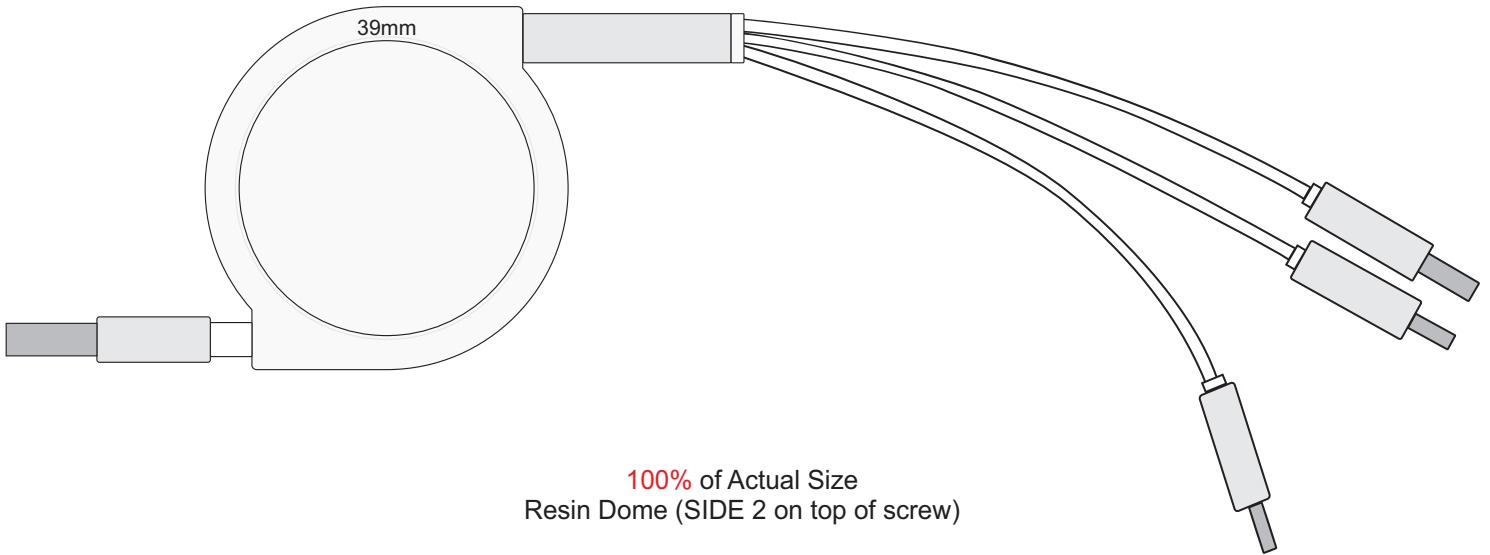
100% of Actual Size  
Pad Print (Front only)



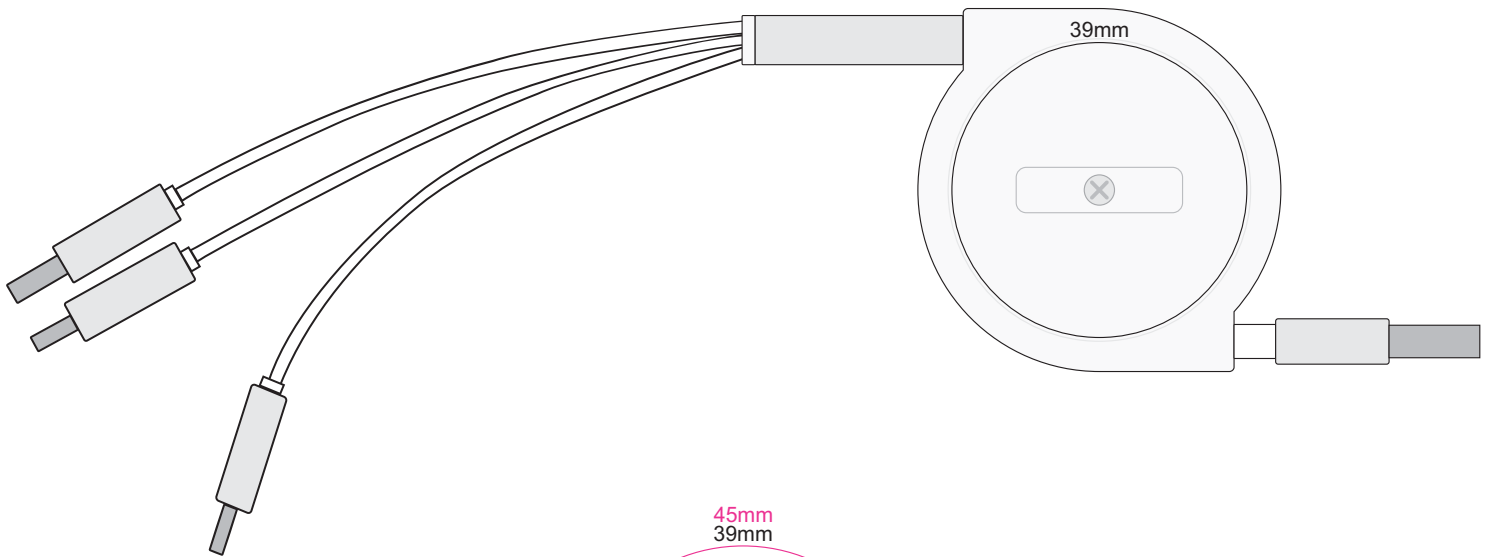
Back - Pad Print not available.



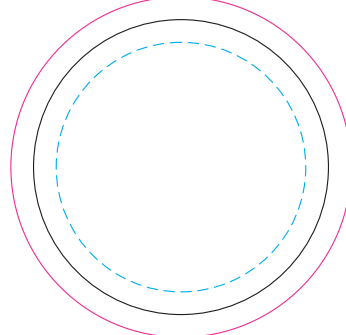
100% of Actual Size  
Resin Dome



100% of Actual Size  
Resin Dome (SIDE 2 on top of screw)



45mm  
39mm



Blue Line = The SIGNIFICANT PRINT AREA  
(Keep all critical images & text within this box)  
Black Line = Maximum print area  
Pink Line = Bleed off to here